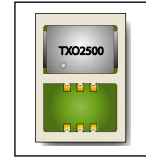


TXO 2500

Oven Controlled Crystal Oscillator



FEATURES:

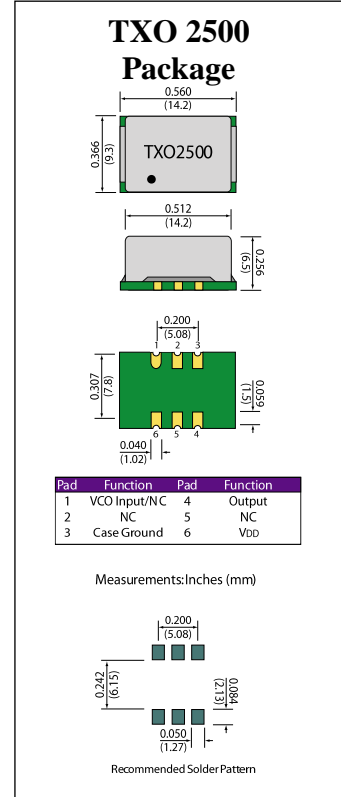
SC Cut

Stratum 3

Metal Can, Thru-Hole

14.3 x 9.6 x 6.5 mm

Parameter	Unit	Min.	Typ.	Max.
Frequency	MHz	10		40
Waveform			HCMOS	
Frequency Tolerance @ 25°C	ppm	-0.5	-	+0.5
Frequency Stability				
vs. Temperature	ppb	See Table Below For Options		
vs. Voltage	ppb	-5	-	+5
vs. Load	ppb	-10	-	+10
vs. Warm-up	ppm	-0.1	-	+0.1
Aging				
Daily	ppb	-2	-	+2
Yearly	ppm	-0.4	-	+0.4
10 years	ppm	-2	-	+2
Voltage	V	3.135	3.3	3.465
Current Consumption	mA	-	500	600
Steady State	W	-	0.5	0.6
Level				
"1" level	V	2.4	-	-
"0" level	V	-	-	0.4
Load	pF	-	15	-
Duty Cycle	%	45	50	55
Spurious	dBc	-	-	-60
Frequency Adjustment Control	V	0	1.65	3.3
Frequency Adjustment Range	ppm	5	-	-5
Frequency Adjustment Slope		Positive		
Input Impedance	kOhm	100	-	-
Phase Noise (@ 20 MHz)				
@ 10 Hz	dBc/Hz	-	-98	-92
@ 100 Hz	dBc/Hz	-	-126	-120
@ 1 kHz	dBc/Hz	-	-145	-140
@ 10 kHz	dBc/Hz	-	-152	-150



Frequency Stability vs. Temperature Range

Temperature	Stability (ppb)
-20 to +70°C	±10, ±20, ±30, ±50
-40 to +85°C	±20, ±30, ±50



Example Part Number: TXO2500-A-33-A-27-20M000

