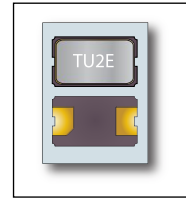


# TU2E Crystal Resonator



**FEATURES:**

**Tight Tolerance  
High Reliability and Precision**

**Seam Sealed Lid  
7.0 x 5.0 x 1.3 mm**

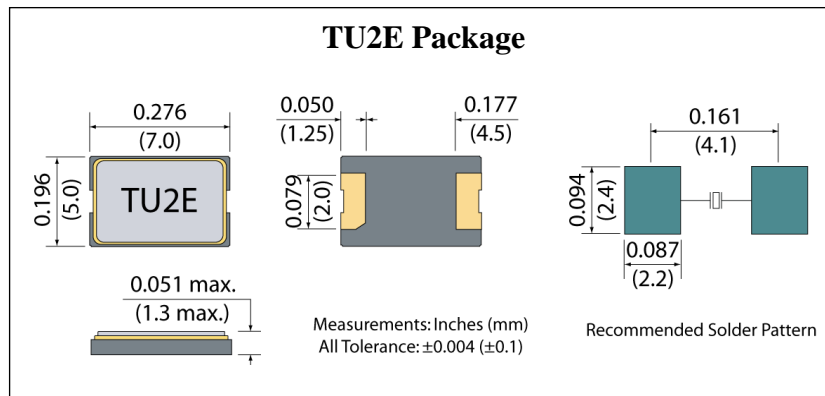
Parameter	Unit	Min.	Typ.	Max.
Frequency Range (FR)	MHz	5.5	-	150.00
Operating Temperature Range	°C	See Table		
Frequency Tolerance at 25°C	ppm	±10	-	±100
Frequency Stability	ppm	See Table		
Load Capacitance (C <sub>L</sub> )	pF	Series	-	32
Shunt Capacitance (C <sub>0</sub> )	pF	-	-	7
Equivalent Series Resistance (R)	Ohms	See Table		
Drive Level	µW	10	-	100
Aging per year	ppm	-	-	±5.0
Storage Temperature Range	°C	-55	-	125

Frequency (MHz)	ESR (Ohms) max.
Fundamental Mode	
5.50 to 8.00	100
>8.00 to 14.00	60
>14.00 to 35.00	40
3 <sup>rd</sup> Overtone	
>35.00 to 150.00	80

Temperature	Stability (ppm)
-10 to 60°C	±10, ±15, ±20, ±25, ±30, ±50, ±100
-20 to 70°C	±10, ±15, ±20, ±25, ±30, ±50, ±100
-40 to 85°C	±20, ±25, ±30, ±50, ±100

**Environmental**

Terminal Material	W
Terminal Plating	Ni-Au
REACH Compliant	Yes
RoHS Compliant	Yes
RoHS Exemptions	No
Re-flow Temp. Max.	260°C
MSL	1



[Click To Quote](#)

Example Part Number: TU2E-D-E-16-18-25M576

TU2E	1	2	3	4	5
<b>Tolerance</b>	A = ±100	B = ±50	C = ±30	D = ±25	E = ±20
<b>Stability</b>	A = ±100	B = ±50	C = ±30	D = ±25	E = ±20
<b>Temp. Range</b>	16 = -10 to 60°C	27 = -20 to 70°C	48 = -40 to 85°C		
<b>Load Cap.</b>	AA = Series	xx = Load			
<b>Frequency</b>	Frequency in MHz i.e. 25M456 use M for decimal point				